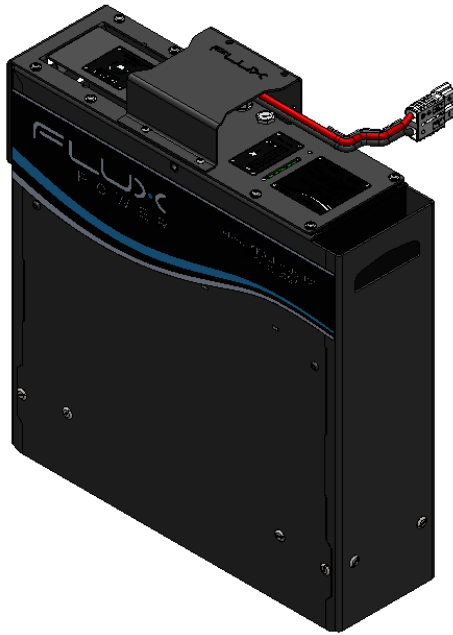


Flux Power S8 Installation Guide

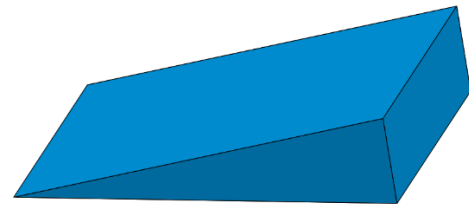
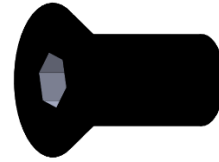


Installation

1 Deliverables



Battery
QTY: 1



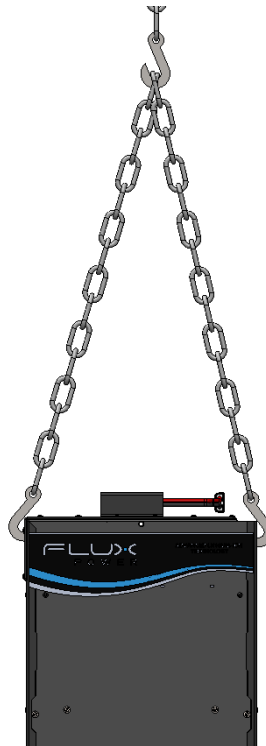
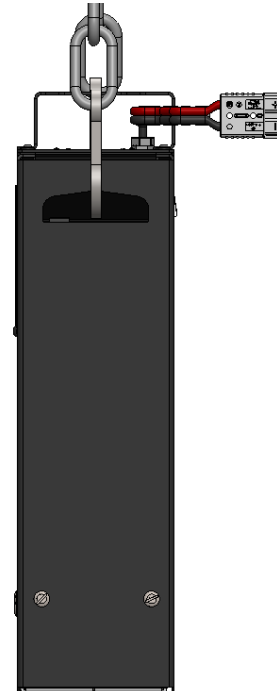
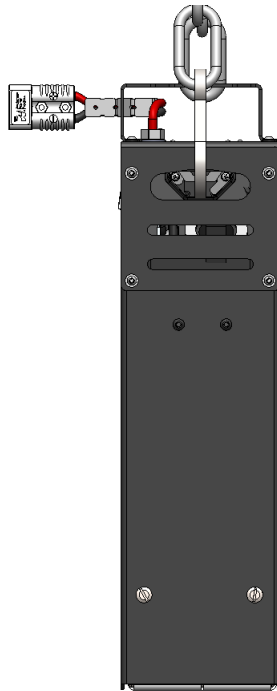
Mounting Hardware (varying components if applicable)
Qty: 1

Installation

2 Battery Installation

2.1 Lifting Points

The battery has two slots on the side to be used as lifting points. A set of hooks with proper chains or lifting straps is recommended.

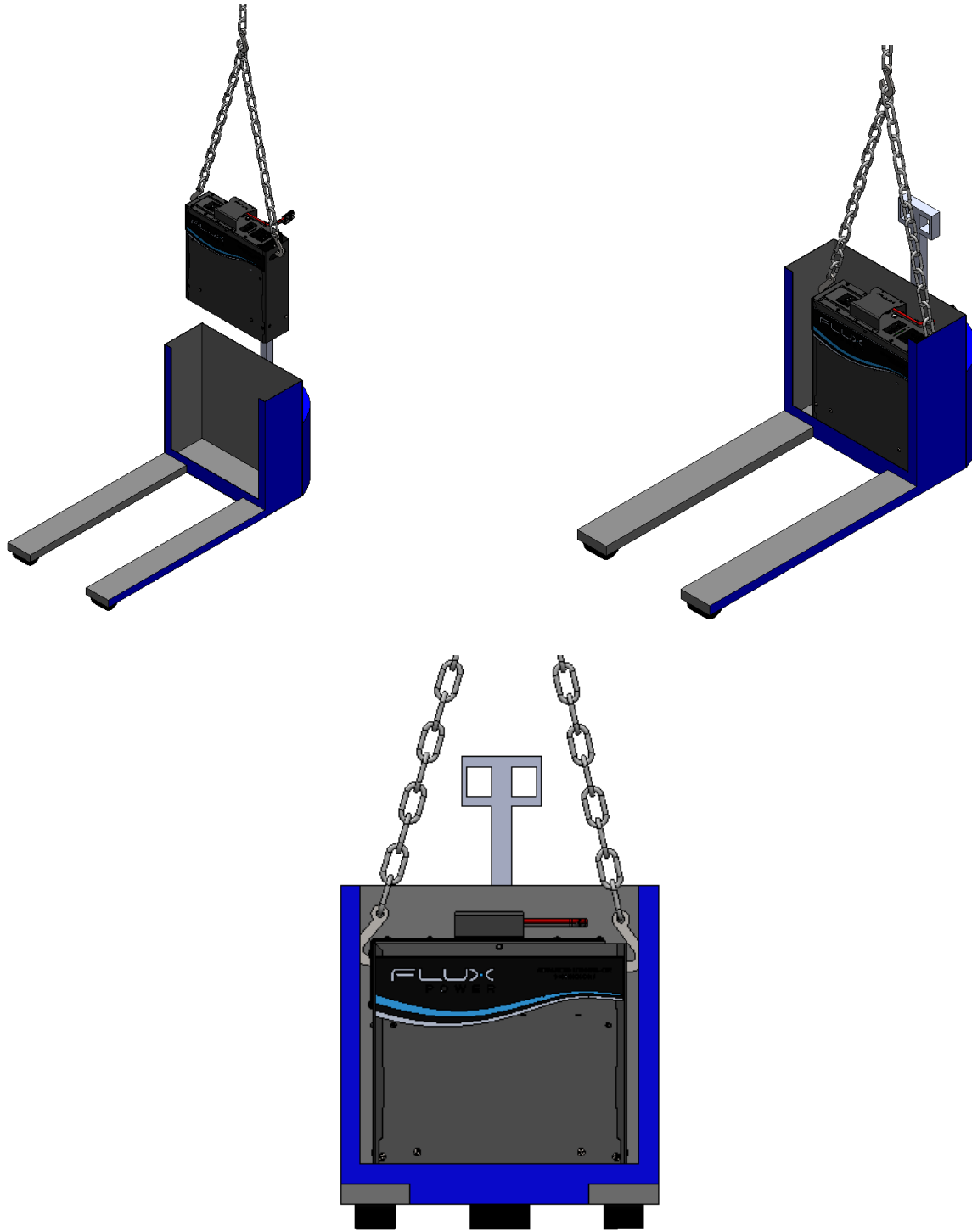


Installation

2.2 Installing Battery into Truck

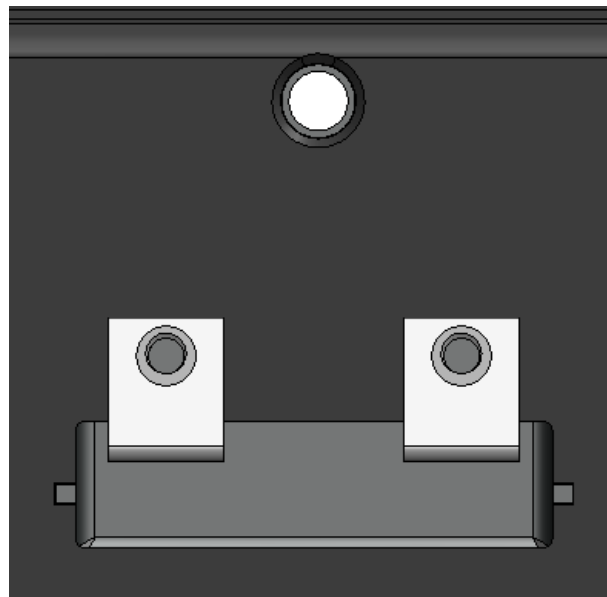
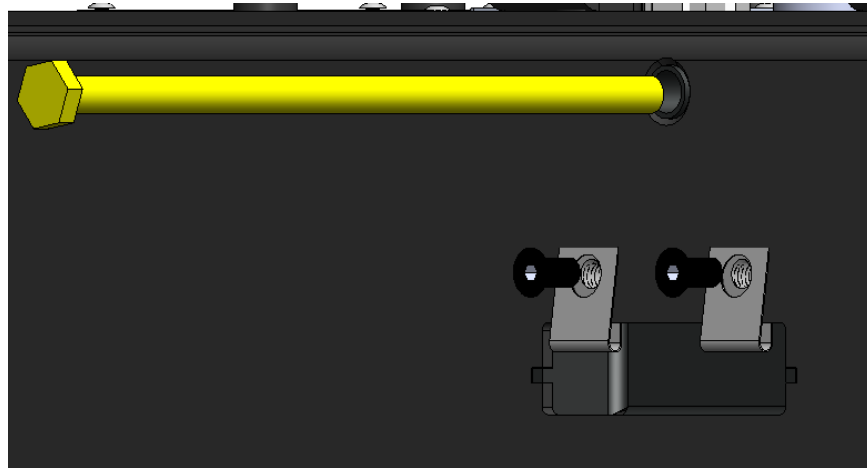
2.2.1 Drop-in

Lift and align the battery into the truck's battery compartment by positioning the battery in the center of the battery compartment.



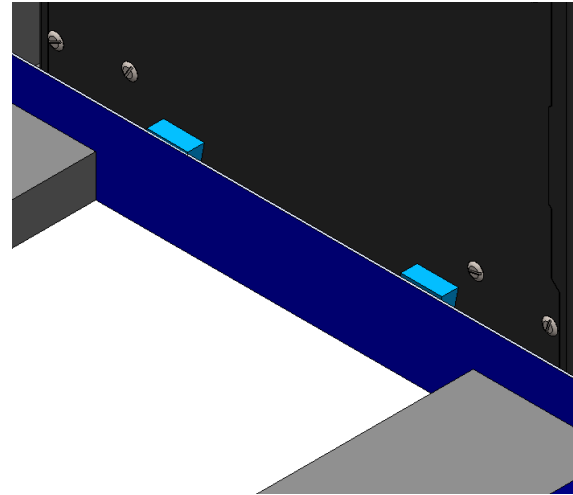
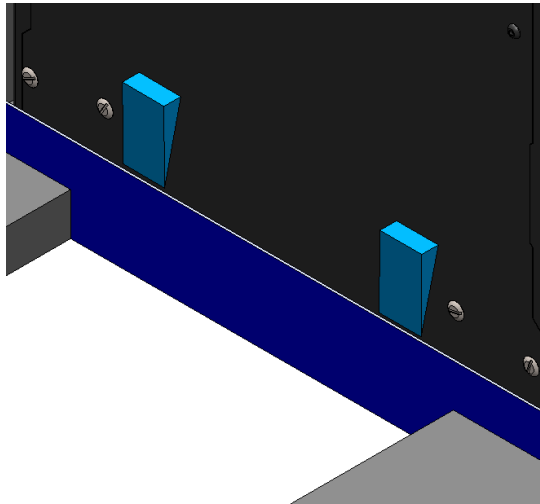
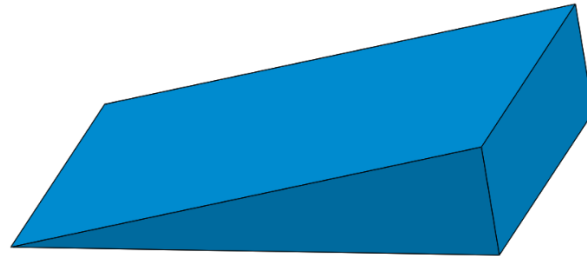
2.3 Mounting Hardware

The battery may come with some mounting hardware to secure the battery to the inside of the battery compartment. Mounting hardware is shipped with the battery in an accompanying plastic bag. The bag may be stored in the cord box during battery shipment. Different trucks will require different mounting hardware. The side of the battery that faces the inside of the truck's battery compartment will have a few mounting holes for different truck mounting configurations. To mount the battery to the truck the front cover or body cover of the truck may need to be removed. Refer to the truck's manual for further information on removing the body cover or appropriate mounting holes.



2.4 Inserting Wedges

Blue wedges are provided for trucks where the battery compartment is much larger than the battery. If provided, insert the blue wedges tip first downwards into the front face of the battery compartment to secure the battery into the battery compartment.

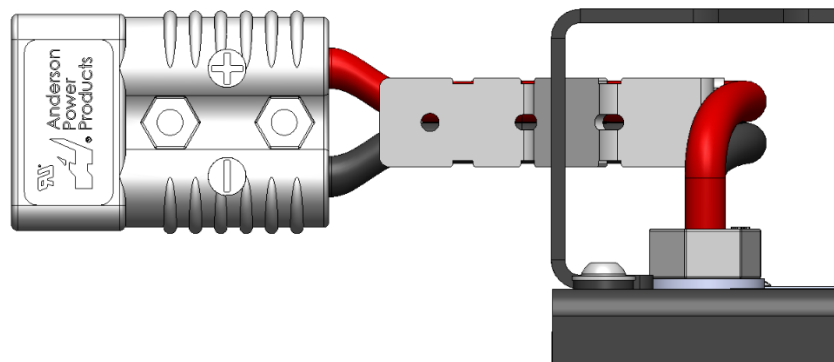


3 Operation

3.1 Discharging the Battery

3.1.1 Power Cables

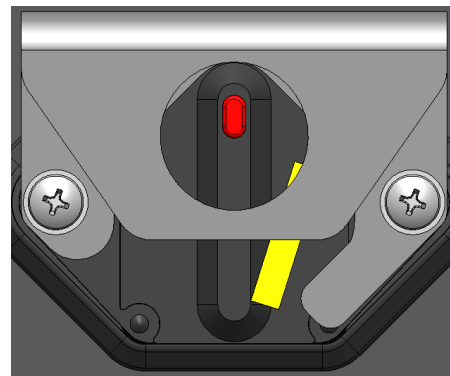
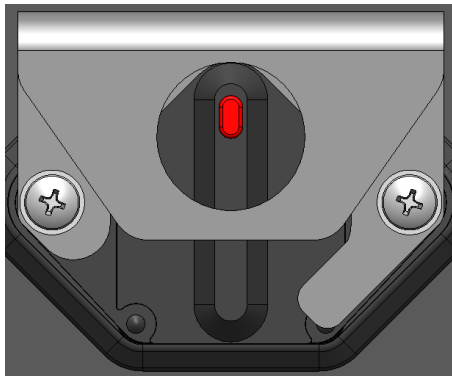
The battery has built in power cables with a discharge connector that will be complimentary to the connector on the truck. Connect the battery to the truck through the power cable connector. This is only used to discharge the battery. Do not charge through this connector.



Installation

3.1.2 Circuit Breaker

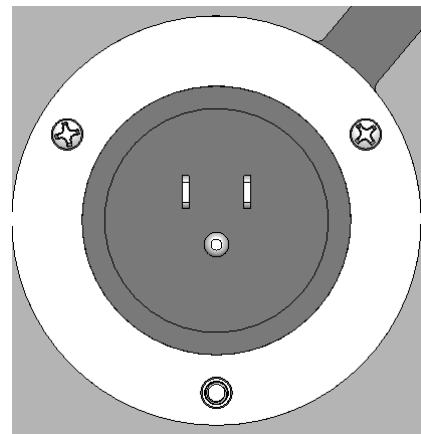
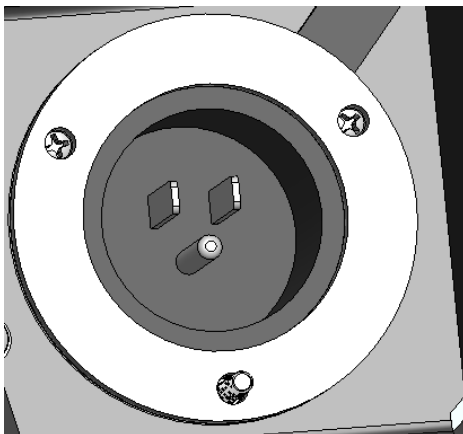
The battery is turned ON by the circuit breaker. The circuit breaker is located inside the cord box which is underneath the top face flap. The circuit breaker is composed of a red tab that can be pressed to turn the battery OFF and a second yellow tab that can be pressed counterclockwise to turn the battery ON. When the yellow tab is pressed counterclockwise it will not bounce back and turn the battery ON. When the red tab is pressed the yellow tab will stick back outside.



3.2 Charging the Battery

3.2.1 On-board Charger

A battery with an on-board charger will have a black A.C. inlet receptacle located in the cord box and below the circuit breaker. Connect an A.C. extension cord to the inlet to charge the battery.



4 Flux Power Contact Details

Flux Power Inc.

Address: 2685 South Melrose Drive,
Vista, CA 92081

Tel: 877-505-3589

Fax: 760-741-3535

Email: Support@fluxpower.com

Web: www.fluxpower.com

WARNING – Risk of Fire – No User Serviceable Parts

Copyright © 2018 Flux Power, Inc. All rights reserved. Flux Power, the Flux Power Logo and Flux Power LiFT Pack are registered trademarks or trademarks of Flux Power, Inc. All other brands and product names are trademarks or registered trademarks of their respective owners. This information is intended for the use of Flux Power customers only. Any other use without the express written consent of Flux Power, Inc. is strictly prohibited