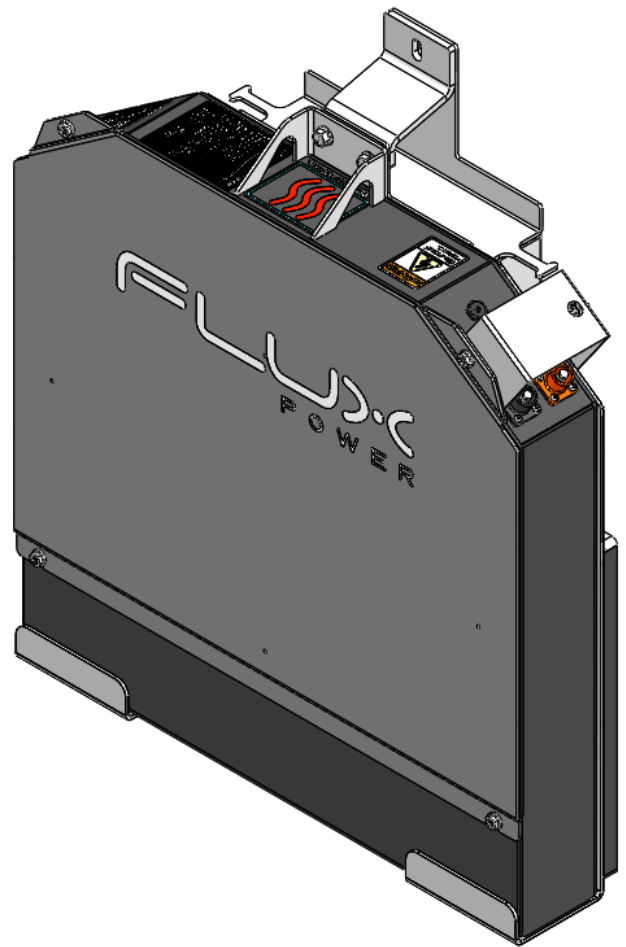


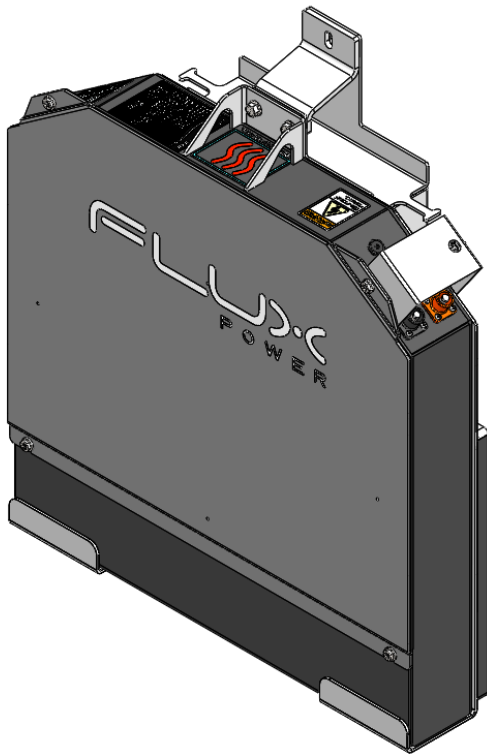
# Installation

## Flux Power S24 Installation Guide

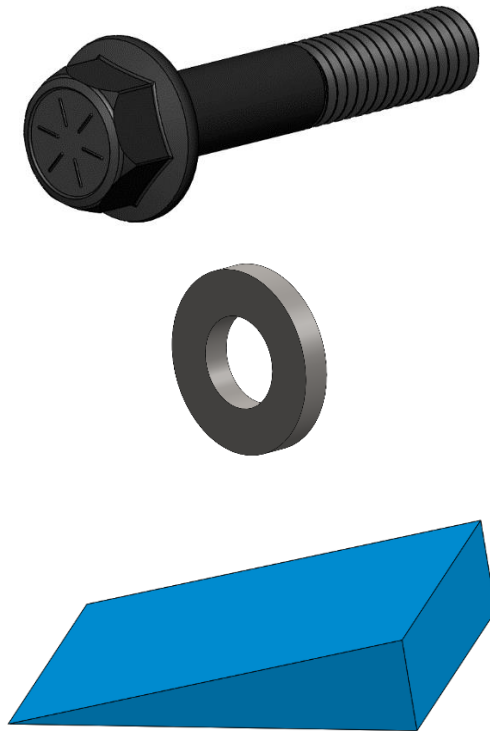


# Installation

## 1 Deliverables



Battery  
QTY: 1



Mounting Hardware (varying components if applicable)  
Qty: 1



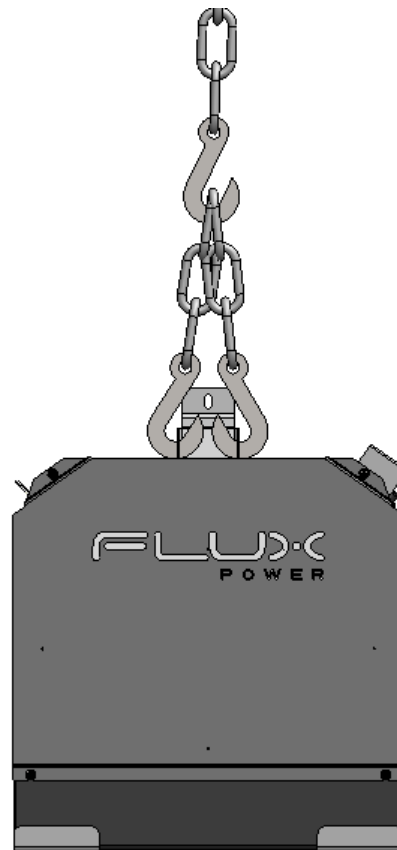
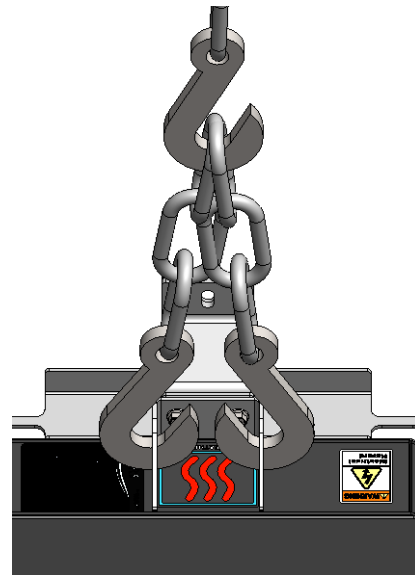
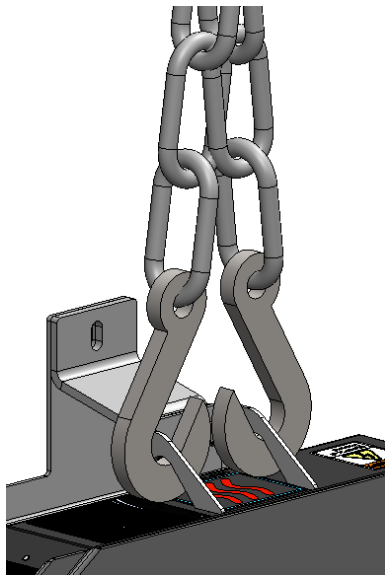
Power Cables (varying length and connector)  
Qty: 1

# Installation

## 2 Battery Installation

### 2.1 Lifting Points

The battery has two slots on the top side to be used as lifting points. A set of hooks with proper chains or lifting straps is recommended.

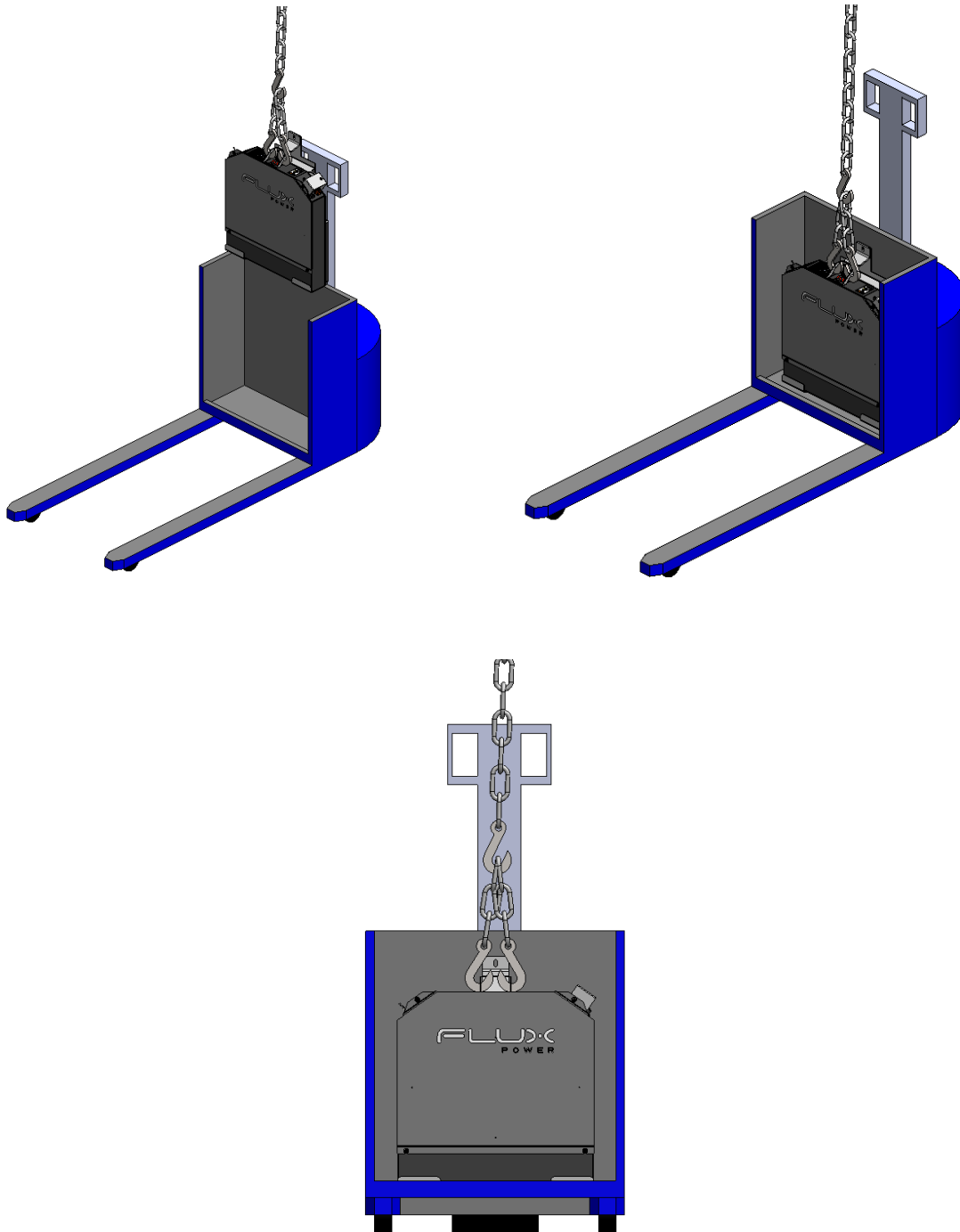


# Installation

## 2.2 Installing Battery into Truck

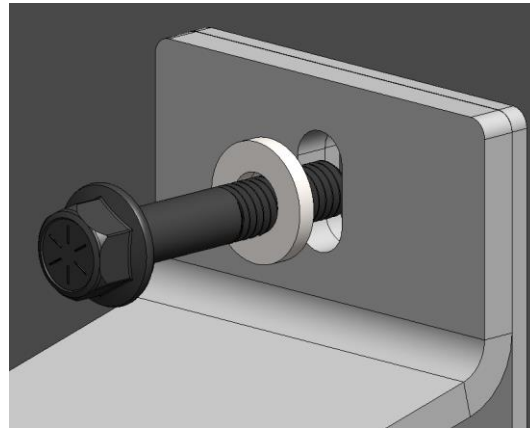
### 2.2.1 Drop-in

Lift and align the battery into the truck's battery compartment by positioning the battery in the center of the battery compartment.



## 2.3 Mounting Hardware

The battery may come with some mounting hardware to secure the battery to the inside of the battery compartment. Mounting hardware is shipped with the battery in an accompanying plastic bag. Different trucks will require different mounting hardware. The side of the battery that faces the inside of the truck's battery compartment will have a few mounting holes for different truck mounting configurations. To mount the battery to the truck the front cover or body cover of the truck may need to be removed. Refer to the truck's manual for further information on removing the body cover or appropriate mounting holes.

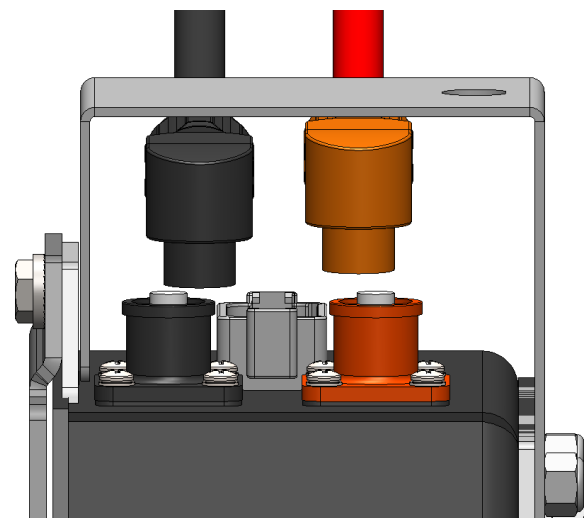


## 3 Operation

### 3.1 Discharging the Battery

#### 3.1.1 Power Cables

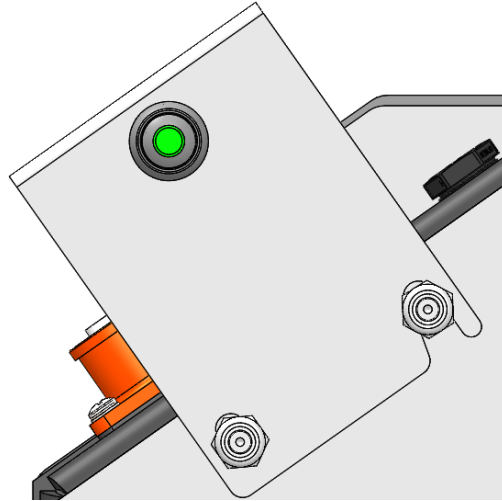
Power connections can only be inserted into the same color and key receptacles. An orange insert will slide into an orange receptacle, and a black insert into a black receptacle. Align the keys of the insert to that of the receptacle to properly insert the connection. A connector can also be removed by pressing the button on the side of the plug and pulling the connector straight out. The bracket covering the receptacle ends on the battery side can be removed in order to insert the power cables.



# Installation

## 3.1.2 Power Switch Button

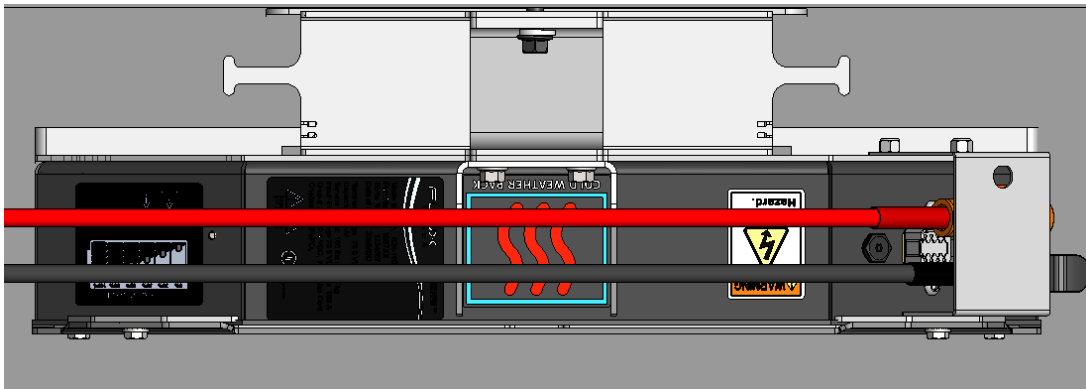
The battery is turned ON by the power switch button. The power switch button is located on the bracket covering the power cables. When the button is pressed in, it will light up green and turn the battery ON. The battery can be turned OFF by pressing on the button again so that it is no longer lit up green.



## 3.2 Charging the Battery

### 3.2.1 On-board Charger

A battery with an on-board charger will have a black A.C. cable that connects the charger mounted on the backside of the battery. Unravel and connect this cable into the wall to charge the battery. Properly wrap the cable on the bracket as seen in the image below when not charging to prevent the cable from being damaged.



## 4 Flux Power Contact Details

Flux Power Inc.

Address: 2685 South Melrose Drive,  
Vista, CA 92081

Tel: 877-505-3589

Fax: 760-741-3535

Email: [Support@fluxpower.com](mailto:Support@fluxpower.com)

Web: [www.fluxpower.com](http://www.fluxpower.com)

WARNING – Risk of Fire – No User Serviceable Parts

Copyright © 2018 Flux Power, Inc. All rights reserved. Flux Power, the Flux Power Logo and Flux Power LiFT Pack are registered trademarks or trademarks of Flux Power, Inc. All other brands and product names are trademarks or registered trademarks of their respective owners. This information is intended for the use of Flux Power customers only. Any other use without the express written consent of Flux Power, Inc. is strictly prohibited